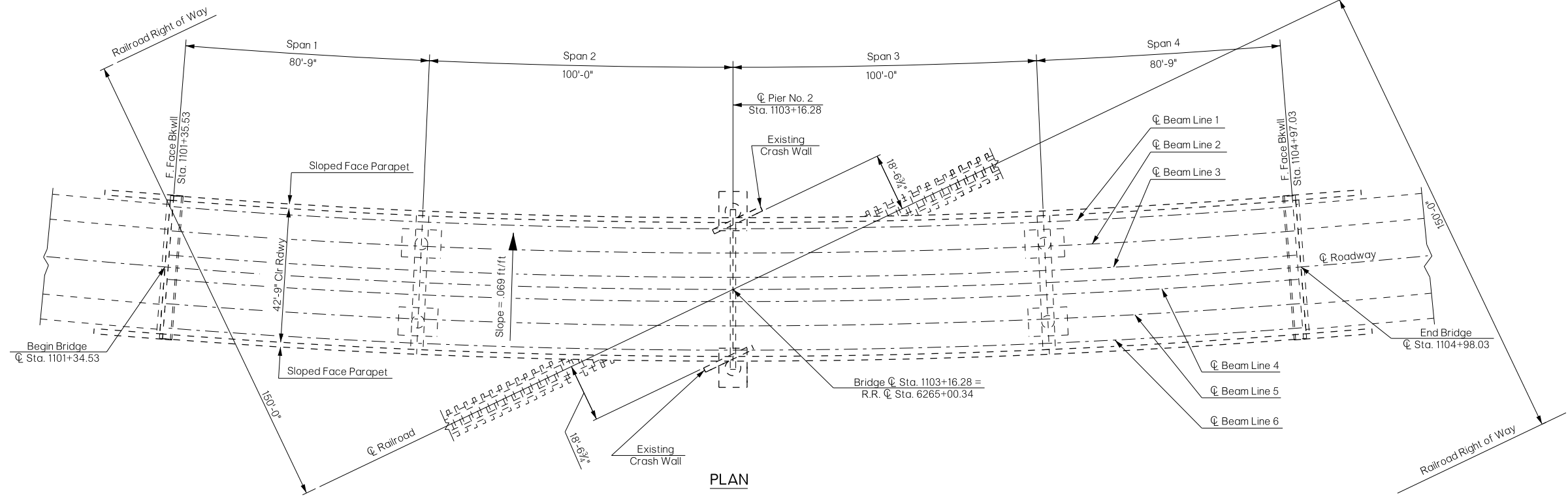
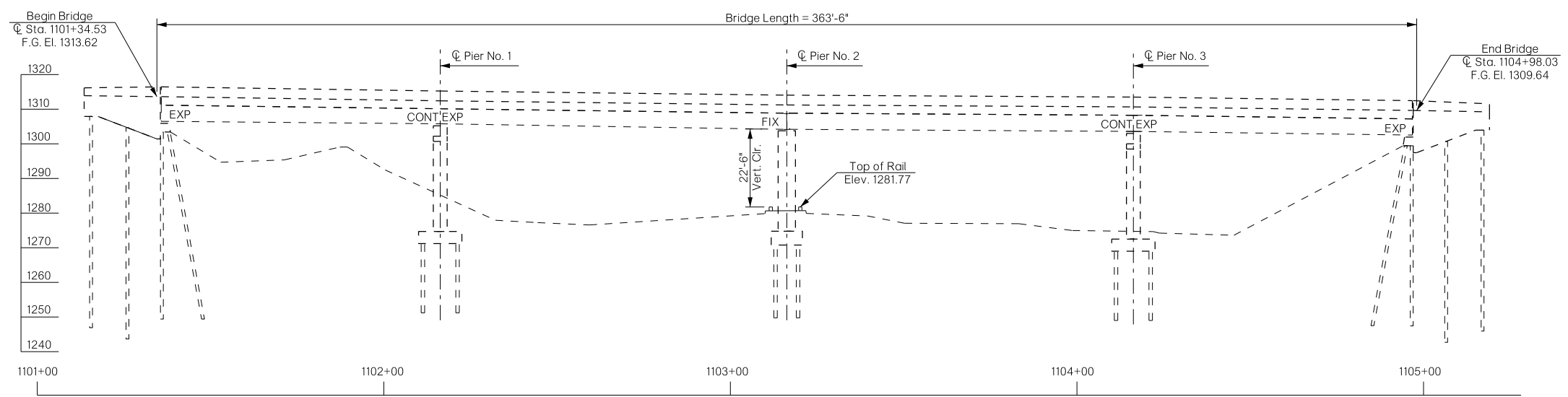


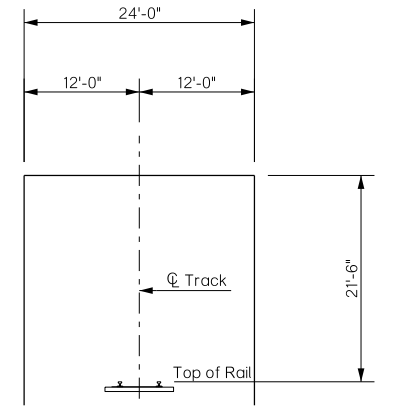
REVISIONS		
REV. NO.	DESCRIPTION	DATE



PLAN



ELEVATION

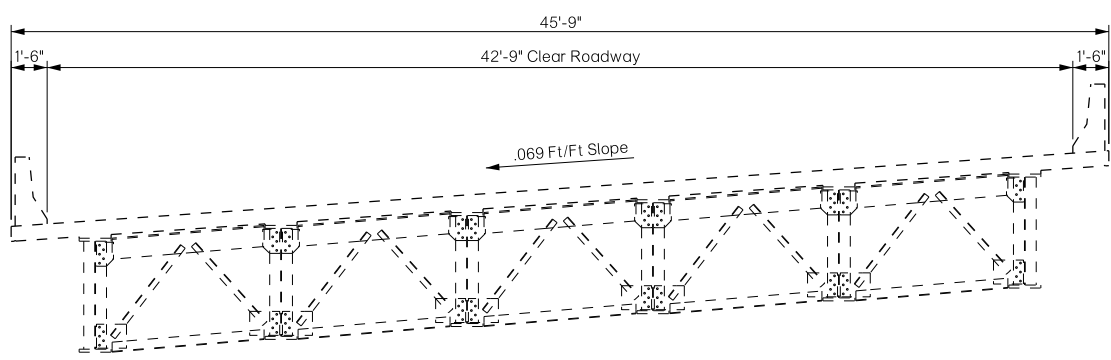


UPRR FALSEWORK CLEARANCE DIAGRAM

Clearance of Falsework required by R.R. for operation during construction.

Horizontal dimensions shown are measured at Right Angles to ϕ of R.R. Track.

Vertical dimension shown is perpendicular to plane of top of rails.



HALF END VIEW

TYPICAL SECTION

HALF SECTION VIEW

BRIDGE "A"		GRADY COUNTY	
U.S.-81 over UP RAILROAD		Design	
GENERAL PLAN, ELEVATION AND TYPICAL SECTION		Detail	WDY 03/16
		Check	
		Squad	HARJO
		Engr.	MOLLA-ESMAIL
STATE OF OKLAHOMA	DEPARTMENT OF TRANSPORTATION	JOB/PIECE NO. 31701(04)	SHEET NO. B001